

TIK-WST wireless temperature transducer



Specifications

Description

Designed to measure and convert signals from thermal resistance converters, into digital signals, for subsequent transmission via wireless or wired networks.

Application area - equipment requiring continuous vibration control.

Temperature transducer are available in two modifications – TIK-WST and TIK-WST RB, differing in overall dimensions and the presence of a removable battery in the RB version.

Two constructive options for each modification – with built-in or remote thermal converter.

The scope of delivery includes a detachable antenna, also delivery with an external antenna is possible fixed length (optional).

High range radio communications - up to 2 km (in dense buildings) and up to 10 km (subject to direct visibility).

Configurable data transmission interval; out-of-order data transfer mode when exceeding the threshold level of the measured vibration.

Metrological parameters

Temperature measurement range, °C -200...+850

Interface

Transducer type 50/100M, 50/100P, pt50/100
 Output signal type digital (LoRaWan standard)
 Supply battery, life up to 10 years*

**Depending on conditions*

Device class A (according to LoRaWAN classification)
 Number of packets sent by the device, not less

- for TIK-WST 50 000
- for TIK-WST RB 15 000

Climatic version

Operating temperature range, °C:

- H climatic version -40...+80
- X climatic version -60...+80

Reliability parameters and manufacturer's warranty

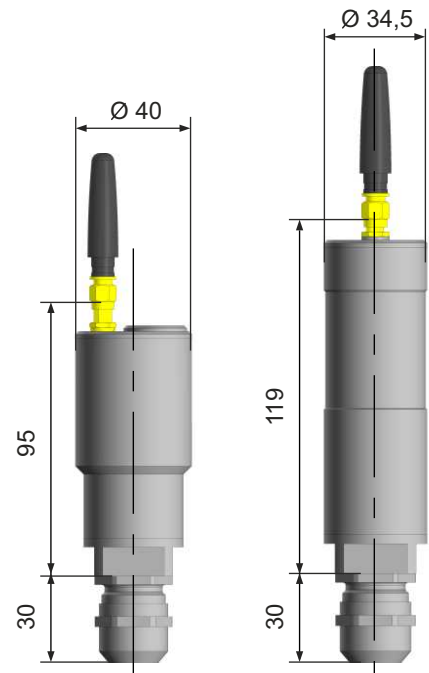
MTBF, hours, not less than 40 000
 Warranty service life, months 24
 Service life, years, not less than 10
 Time between verifications 2 years



Design versions

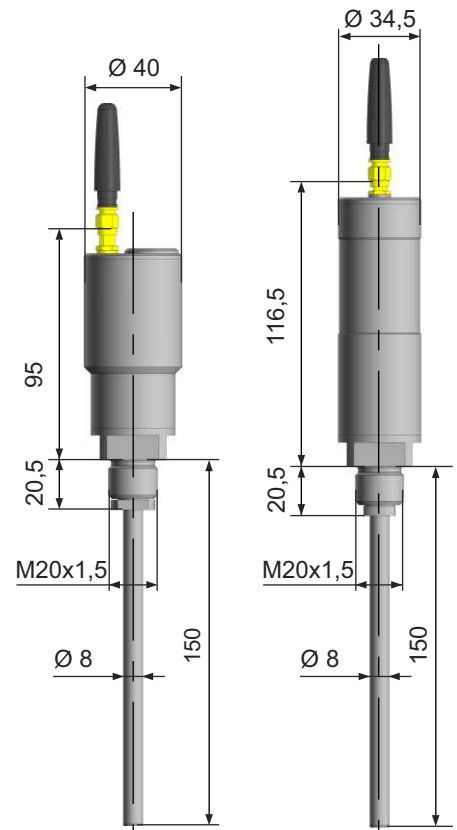
TIK-WST / TIK-WST RB ver. 00 temperature transducer

- Version** with cable entry for external converter
- Body type** cylindrical body (TIK-WST)
reduced cylindrical body, removable battery (TIK-WST RB)
- Mount type** on the bracket using the mounting kit
- Enclosure dimensions** Ø 34.5x119 mm (TIK-WST)
Ø 40x95 mm (TIK-WST RB)
- Weight** 400 g (TIK-WST, without antenna and sensor)
300 g (TIK-WST RB, without antenna and sensor)
- Protection class** IP65/IP68
- Explosion protection** 0Ex ia IIC T4 Ga



TIK-WST / TIK-WST RB ver. 01 temperature transducer

- Version** with pre-installed thermal converter and sleeve
- Body type** cylindrical body (TIK-WST)
reduced cylindrical body, removable battery (TIK-WST RB)
- Mount type** into the mounting hole of the unit
using the sleeve M20x1.5
- Enclosure dimensions** Ø 34.5x116.5 mm (TIK-WST)
Ø 40x95 mm (TIK-WST RB)
- Weight** 400 g (TIK-WST, without antenna and sensor)
300 g (TIK-WST RB, without antenna and sensor)
- Protection class** IP65/IP68
- Explosion protection** 0Ex ia IIC T4 Ga



TIK Research & Production Enterprise,
Limited Liability Company
14A, Marii Zagummennykh St., Perm, 614067, Russia
Tel.+7 (342) 214-75-75
E-mail: tik@perm.ru
Web-site: <https://tik.perm.ru/en>

08082023